

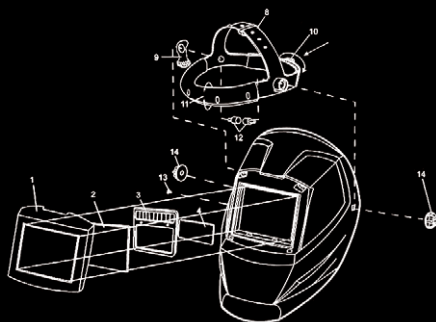
MULTI-MIG

QUALITY WELDING PRODUCTS



Automatic Welding Helmet

- Viewing area 96 x 42 mm
- Helmet 9-13 variable
- Reaction time 1-10000 sec
- UV / IR Protection-UPDin 13
- Adjustable Reopening delay 0.1-0.9 sec
- Adjustable sensitivity
- Power Supply Solar Cell
- 12 month warranty

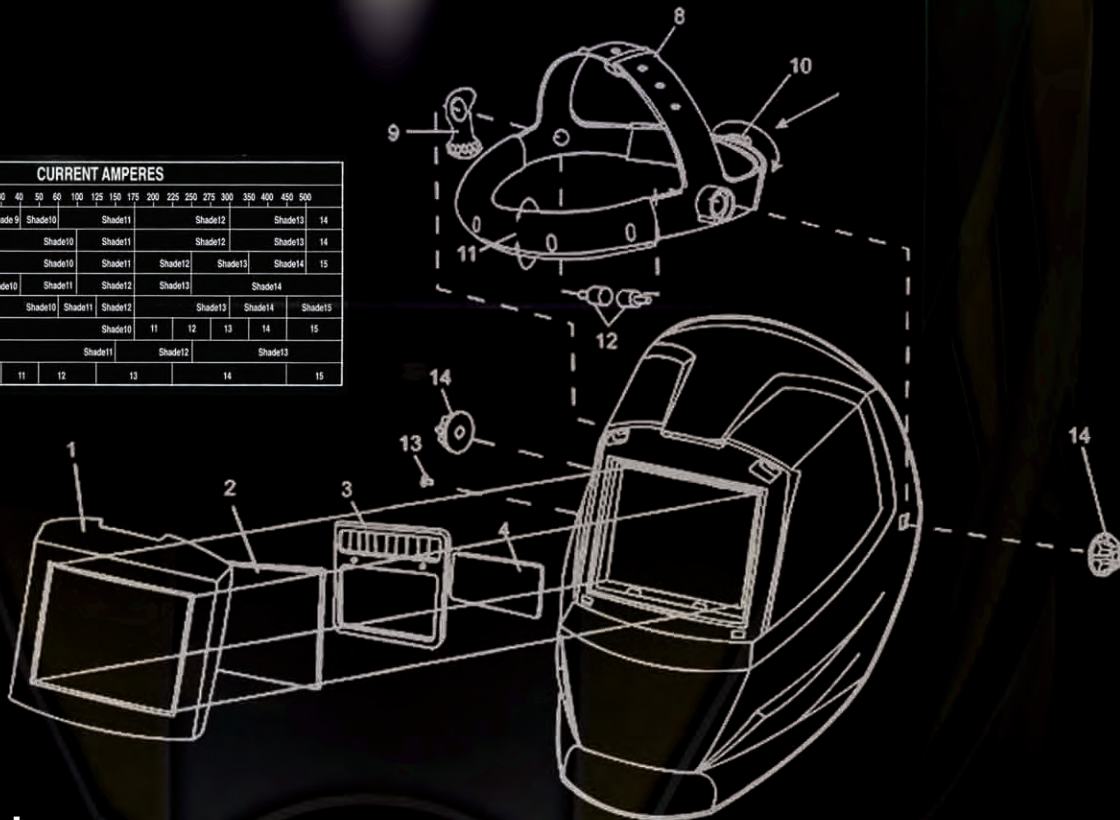


Automatic Welding Helmet



UNI-MIG

WELDING PROCESS	CURRENT AMPERES																									
	0.5	1	2.5	5	10	15	20	30	40	50	60	100	125	150	175	200	225	250	275	300	350	400	450	500		
Covered Electrode	Shade 9		Shade 10			Shade 11			Shade 12			Shade 13			Shade 14			Shade 15			Shade 16			Shade 17		
MIG Plate Welding	Shade 10		Shade 11			Shade 12			Shade 13			Shade 14			Shade 15			Shade 16			Shade 17			Shade 18		
MIG Sheet Metal	Shade 10		Shade 11			Shade 12			Shade 13			Shade 14			Shade 15			Shade 16			Shade 17			Shade 18		
TIG	Shade 9		Shade 10			Shade 11			Shade 12			Shade 13			Shade 14			Shade 15			Shade 16			Shade 17		
MAG	Shade 10		Shade 11			Shade 12			Shade 13			Shade 14			Shade 15			Shade 16			Shade 17			Shade 18		
Arc Gouging	Shade 10		Shade 11			Shade 12			Shade 13			Shade 14			Shade 15			Shade 16			Shade 17			Shade 18		
Plasma Cutting	Shade 10		Shade 11			Shade 12			Shade 13			Shade 14			Shade 15			Shade 16			Shade 17			Shade 18		
Plasma Welding	Shade 11		Shade 12			Shade 13			Shade 14			Shade 15			Shade 16			Shade 17			Shade 18			Shade 19		



Includes:
Helmet Bag / 2 Extra Lenses / 2 Extra Sweat Bands



for more welding equipment please visit
www.multimig.co.nz

Made in China

• Multi-MIG (NZ) pursue a policy of continuous research and development and therefore reserve the right to change the specification, design or price without prior notice.